



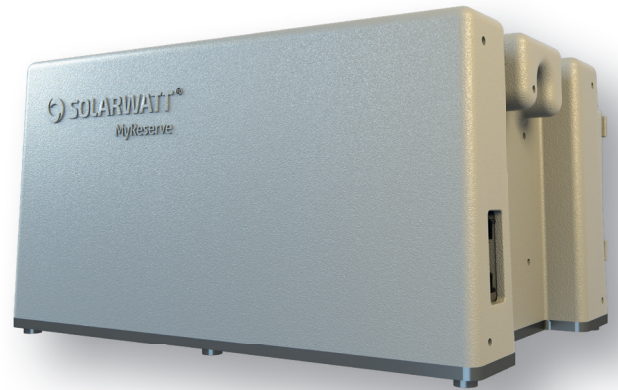
Technical data sheet

MyReserve Pack 24.3 (IP54)

Store energy. Safe, powerful, compact

MyReserve Pack is a powerful lithium-ion battery module for integration in MyReserve battery systems.

- Depth of Discharge is 100 %
- Unique battery efficiency of 99.2 %
- Long service life > 15 years
- Plug & play installation with contact-protected and polarity-reversal-protected connecting plugs
- One-person installation possible (only 25 kg)
- Certified safety with multi-stage safety controls
- Integrated battery management system with VTC supervisor
- Individual cell monitoring
- Dynamic adjustment of the charge current based on the current PV output and the household's internal consumption
- Maintenance-free
- No memory effect



Benefits

- **Best price**
- **Easy installation**
- **Certified safety**
- **Retrofit ready**

SMART PERFORMANCE CALCULATION:

- Calculation of the internal resistance per cell
- Determination of charging and discharging parameters in consideration of the internal resistance
- Calculation of SoC and SoH



SOLARWATT Service

FullCoverage Insurance
included*

Performance warranty
10 years performance warranty for min. 80 % of the usable energy of MyReserve Pack

Simple return policy
as per electrical and electronic equipment legislation

Professional consultation
Experts via hotline or on site

Guarantee of origin
Quality from Germany

* soweit ein Wechselrichter gemäß „Freigegebene Wechselrichter für MyReserve“ eingesetzt wird

Technical data sheet

MyReserve Pack 24.3 (IP54)

General data

Usable energy	2.4 kWh
Depth of Discharge (DoD)	100 %
Cell technology	Li-ion
Cell separator	Ceramic coating
BMS	VTC Supervisor ¹⁾
Maximum efficiency	99.2 %
Weight	25 Kg
Dimensions (W x H x D)	384 mm X 200.5 mm X 277 mm (Depth: 260mm without fastening points)
Housing	Aluminum
Communication	iso SPI
Power connections	Power plug with integrated communication (contact-protection and polarity-reversal protection) ²⁾
Battery fuse	Integrated
Warranty ³⁾	10 years (min. 80 % of the usable energy)
Cycle service life	unlimited number of full cycles during the warranty period

Supported devices

Battery system	MyReserve 500, MyReserve 800, MyReserve Command (20.2, 20.4, 25)
----------------	--

Environmental and ambient conditions

Permissible environmental operating temp.	0°C to 30°C (max. 45°C) ⁴⁾
Permissible storage temperature	-20°C to 30°C
Permissible transport temperature	-20°C to 55°C
Relative air humidity	≤ 85% non-condensing
Protection rating	IP54 ⁵⁾
Installation location	Up to 2.000 m above sea level

- 1) Continuous monitoring of all cell voltages, cell temperatures, and current. Shut-off of the system when parameter limits are exceeded.
- 2) The battery poles are voltage-free when the battery is removed
- 3) The corresponding warranty conditions apply
- 4) MyReserve does not operate at temperatures below -15°C or above +45°C. Unrestricted performance is provided for the household in the temperature range of 0°C to 30°C. Accelerated aging of the cells should be taken into account at temperatures above +45°C.
- 5) when installed with MyReserve Pack IP54 accessory kit

Certifications and standards

tested by accredited testing laboratories acc. to UN38.3

As a part of MyReserve:

Safety Guidelines for Li-ion household battery system Version 1.0
 E DIN EN 62619:2014 (VDE 0510-39)
 DIN EN 50272-1:2011 (VDE 0510-1)
 DIN EN 61010-1:2011 (VDE 0411-1)
 DIN EN 61000-6-1:2007 (VDE 0839-6-1)
 DIN EN 61000-6-3:2011 (VDE 0839-6-3)

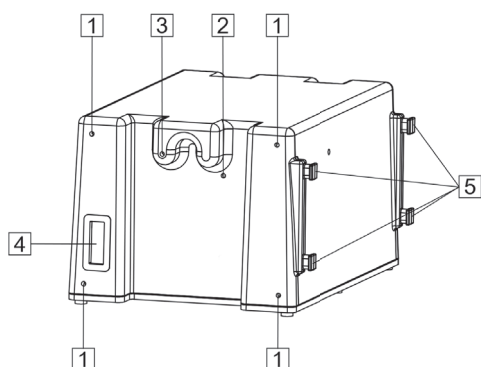
Conformity to:

EU-Directives (CE): 2014/35/EU (LVD)
 2014/30/EU (EMC)
 2011/65/EU (RoHS)

Cells (among others) tested acc. to:

UN38.3
 Automotive-Standards (EUCAR Abuse Level 3)

Dimensions



1	Fastening holes for protective cover
2	Fastening holes battery cable
3	Ground connection
4	Connection for battery cable
5	Mounting bracket

required accessory: Accessory Kit MyReserve Pack IP54